

# Ceramic Thermostat CO/CS/CB

Ceramic Thermostat with snap-action disk: regulator, automatic controller, limiter

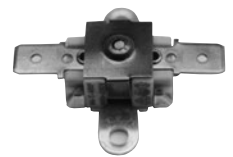


## Applications

The very compact ceramic-bodied thermostats are designed for current loads of up to 16A and have a wide range of applications. These thermostats can be used in regulator applications to maintain a constant temperature (normally closed or normally open); they can be used as thermal switches in monitoring applications (normally closed or normally open); or they can be used as limiters (normally closed) with mechanical resetting.

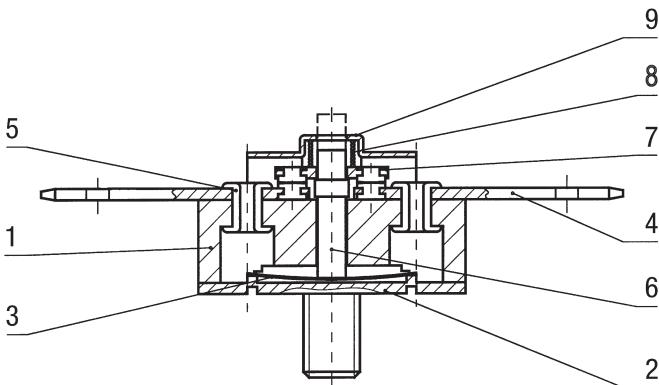
The thermostats are used everywhere where overheating protection is required in a minimum of space.

- domestic appliances
- heating appliances
- heat exchangers
- electrical equipment
- hotplates



## Mode of action

The thermostats respond to a fixed temperature that is determined by a snap-action bimetallic disk. The action of the bimetallic disk is mechanically transmitted to a bridge contact via a transfer pin, so that the electrical circuit is either open or closed, depending on the state of the bimetallic disk.



- 1 = Housing (Ceramic)
- 2 = Heat-conducting plate
- 3 = Bimetall element
- 4 = Connection terminals
- 5 = Rivet
- 6 = Switching pin
- 7 = Bridge Contact
- 8 = Spring
- 9 = Cover

## Technical specifications

Switching performance (CCA)	CS CO	{ 16 (2.5) A 250 V ac 1000 switches 16 (2.5) A 400 V ac 1000 switches 10 (1.5) A 250 V ac 30000 switches		
			CB	{ 16 (2.5) A 250 V ac 1000 switches 16 (2.5) A 400 V ac 1000 switches
Maximum speed of temperature change	20 °K/min			
Differential gap	30 ° – 60 °C (smaller values on request)			
Maximum switching temperature	350 °C			
Electr. insulation	> 2800 V			
Design	As per EN 60730 • micro-contact-breaker • type 1CL			
Contact material	Silver alloy			
Approval	VDE, UL a.s.c.			

It is the responsibility of the customer to verify the suitability for the intended use. We can provide no guarantees in this regard. However, we will be happy to advise you.



# KIENZLER AG

UNT. BAHNHOFSTR. 27  
CH-8340 HINWIL  
SWITZERLAND  
Tel. 0041 (0)44 937 10 30  
Fax 0041 (0)44 937 24 04

E-Mail: kienzlerinfo@kienzler.ch web: www.kienzler.ch

